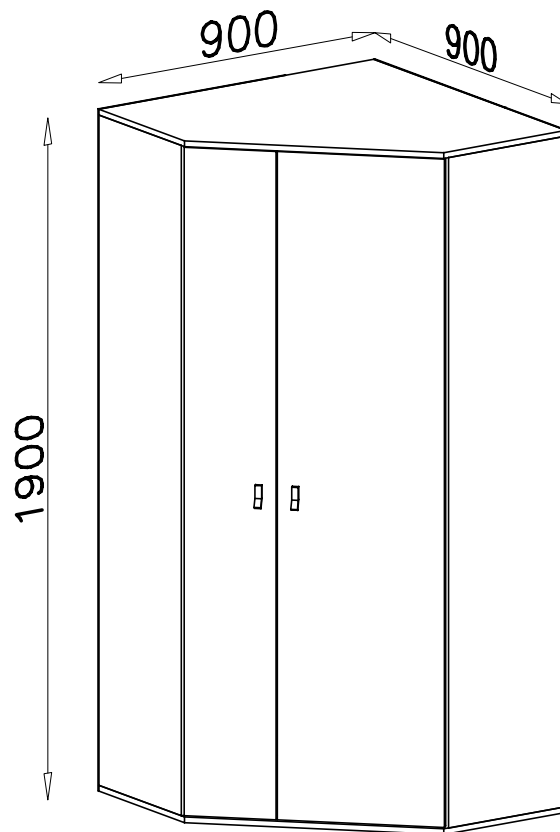
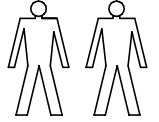
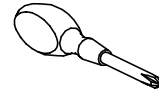
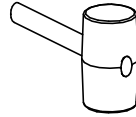
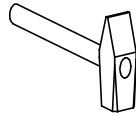
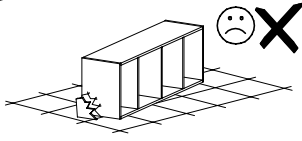
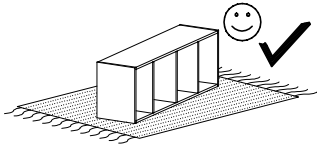

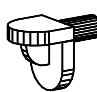
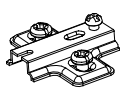
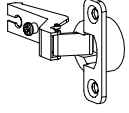
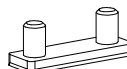





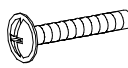

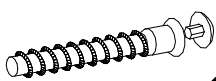

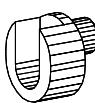
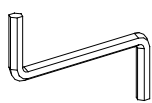

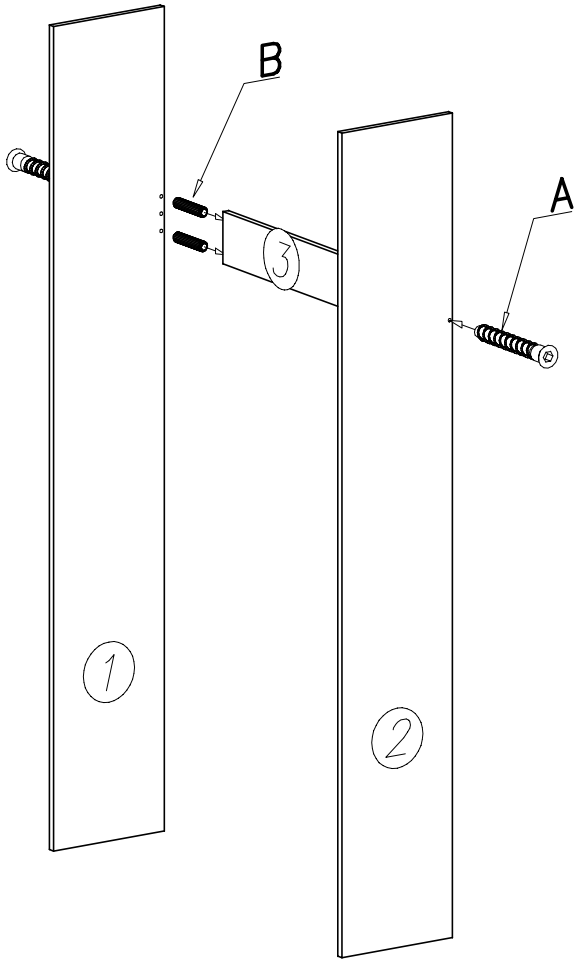


PLANET PL 2L/P

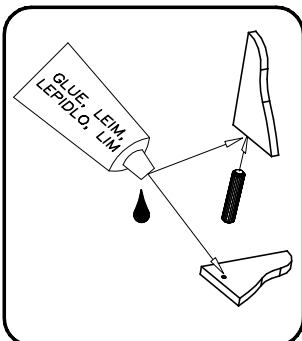
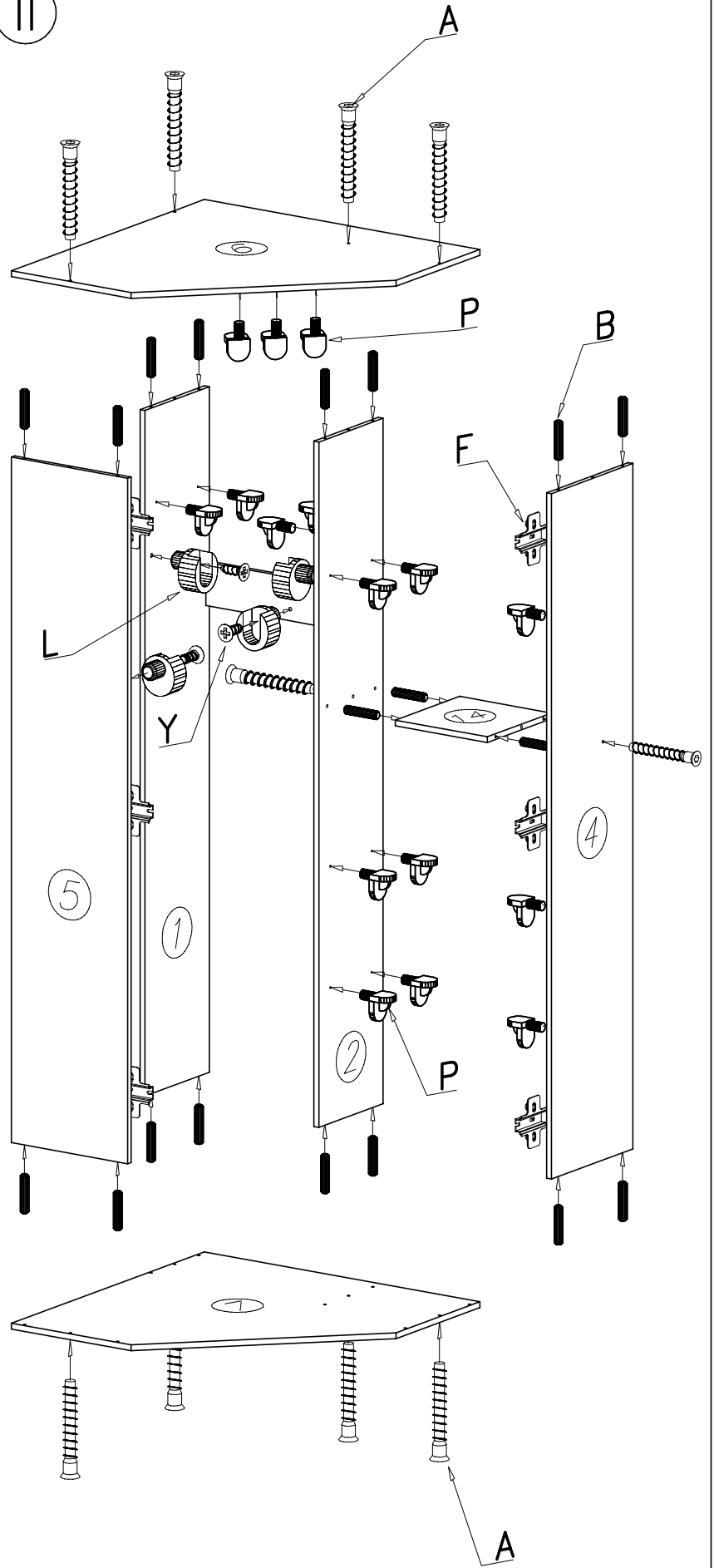


| | | | | |
|--|---|---|---|---|
| Y  3x13 x4 | P  x19 | | | |
| F  x6 | D  x6 | G  x5 | T  4x16 x12 | C  x13 |
| W  x2 | E  3x20 x90 | U  x2 | N  M4x20 x4 | J  578mm x1 |
| A  x12 | B  x24 | L  x4 | Z  x1 | S  854mm x1 |

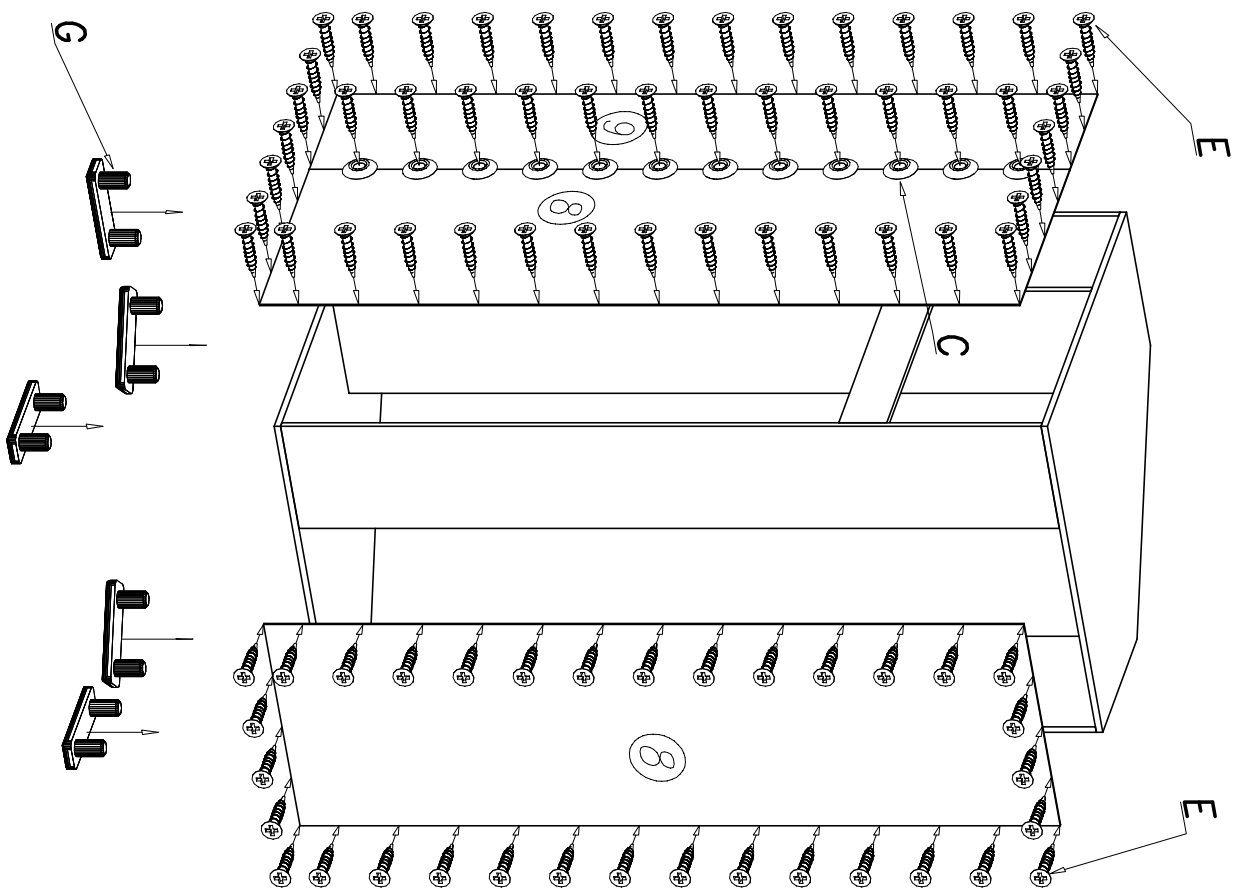
I



II



III



IV

